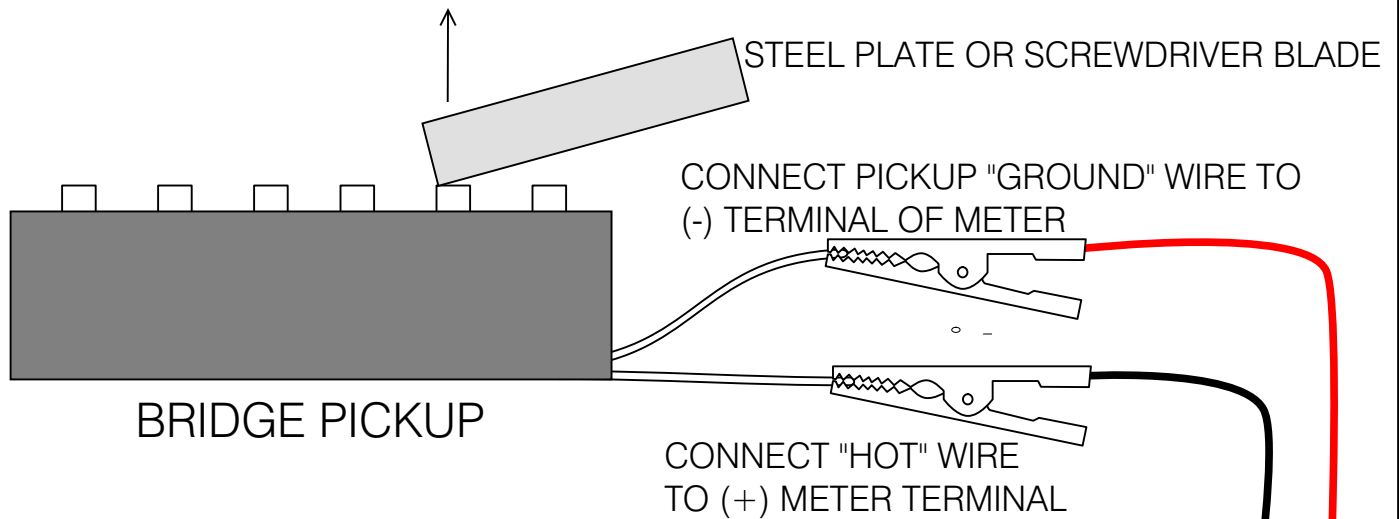


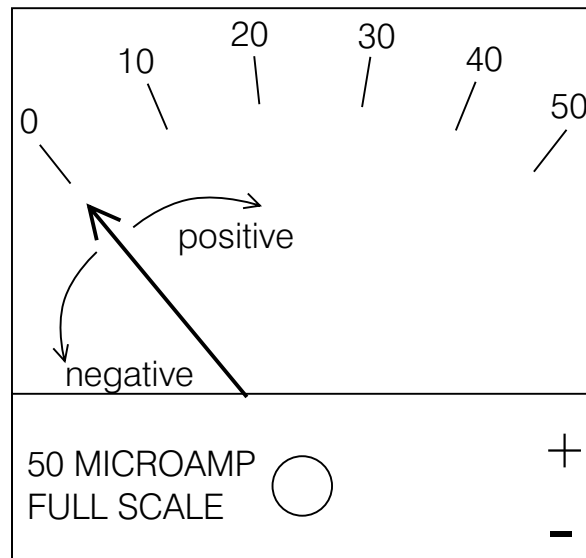
"POLARITY PULLAWAY" TEST

Touch screwdriver blade to top of one polepiece. Then, pull away quickly.



METER SHOULD MOVE TO (-), NEGATIVE DIRECTION FOR MOST PICKUPS. IF THE PICKUP IS POSITIVE POLARITY, THEN SIMPLY REVERSE THE SUSTAINIAC DRIVER WIRES.

(YOU CAN USE AN OSCILLOSCOPE INSTEAD OF A METER)



NOTES:

1. Make sure that the screwdriver blade (or other steel piece) doesn't extend over the polepieces of the second coil of a humbucker pickup. You will get a false reading.
2. If you don't have this equipment, you can simply hook up the sustainer and try it. If the bridge pickup polarity is (-), the sustainer will function normally. If the bridge pickup is (+) polarity, then there will be no NORMAL sustainer mode, and sustain will be weak in all positions of the HARMONIC MODE switch. Simply reverse red/black Sustainiac driver wires to correct.

Maniac Music, Inc.
Indianapolis, IN

PICKUP
WINDING POLARITY TEST
("POSITIVE-ON-PULLAWAY")

9-7-01