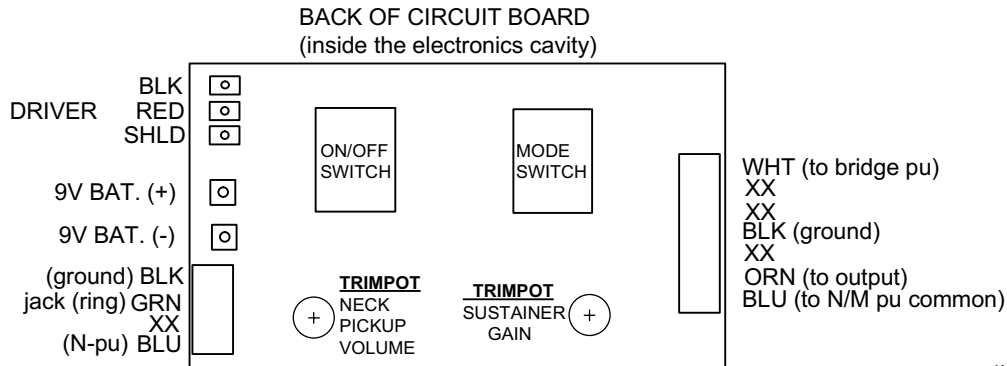


# SUSTAINIAC® OPERATING INSTRUCTIONS

1. **KEEP UNPLUGGED WHEN NOT PLAYING:** When guitar jack is inserted, sustainer is in STANDBY. (Driver functions as active neck pickup, and preamp is running. Standby mode uses about 2 milliampere of battery current. This will run down the battery in about 250 hours.)
2. **NECK PICKUP VOLUME TRIMPOT** on circuit board: Sets neck pickup volume relative to other pickups. Factory set for good balance.
3. **SUSTAINER GAIN TRIMPOT** on circuit board: Sets how quickly sustain builds up. Factory set for optimum sustainer gain.
4. Use only one 9-volt alkaline battery. Battery life is about 15-40 hours, depending on how much you use the sustainer. When battery voltage decays to about 7 volts, the neck pickup will quit working. This is the time to replace the battery.

**A NOTE ABOUT HARMONIC MODE:** This mode produces very intense harmonics. The front GAIN control (not the trimpot on the circuit board inside the electronics cavity) does not affect it. You will notice that the strings want to "fight" you, and take off by themselves unless you practice hand muting. You can reduce the intensity by lowering the driver under the wound strings. Or, you can turn down the TRIMPOT GAIN control on the back of the circuit board. However, this will reduce the effectiveness of HARMONIC MODE. Also, you should spend some time developing right/left hand muting technique before you turn down the gain. It doesn't take long to develop this.

**DRIVER AND BRIDGE PICKUP HEIGHTS:** Both the bridge pickup and the Sustainiac driver contribute equally to the response of the sustainer, particularly in Harmonic Mode. Raise both the driver and bridge pickups close to the little E-string, and not so close to the big E-string.



SUSTAINIAC® is a registered trademark of Maniac Music, Inc., Indianapolis, IN U.S.A.

www.sustainiac.com  
info@sustainiac.com  
(317) 340-1161

## USING THE SUSTAINIAC® SUSTAINER TO GET INFINITE SUSTAIN, AT ANY VOLUME

1. Sustainer placed in STANDBY when guitar plug is inserted in jack. **KEEP UNPLUGGED IF NOT PLAYING INSTRUMENT.**
2. **POWER ON = UP** (Only bridge pickup functions when sustainer on, regardless of pickup selector switch setting.)
3. **NORMAL MODE** (mode switch down): Produces mostly fundamental (normal) infinite string vibration.
4. **MIX MODE** (middle position): Produces a combination of fundamentals on high notes, harmonics on lower notes. Similar to natural amp feedback, only much more intense and predictable. Harmonics fade in more slowly.
5. **HARMONIC MODE** (mode switch up): Notes fade into intense upper harmonic vibration mode. *Metal Madness!*
6. **SUSTAINER GAIN KNOB:** Sets how quickly sustained notes build up. **ONLY FUNCTIONS IN NORMAL AND MIX MODES.**

